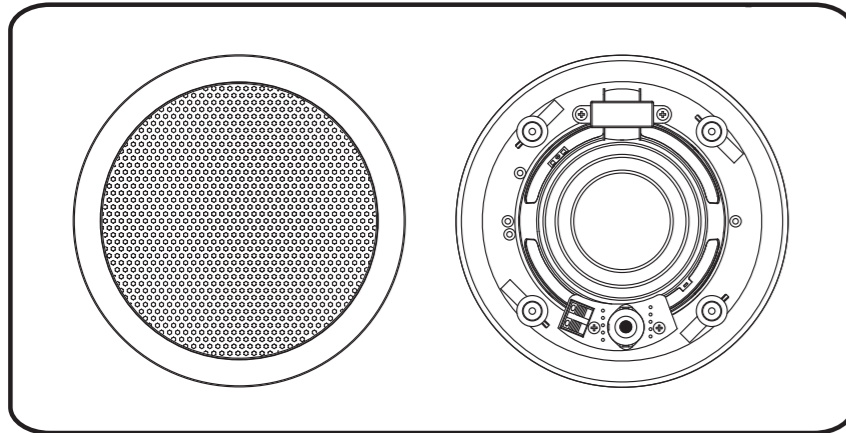




952.184UK

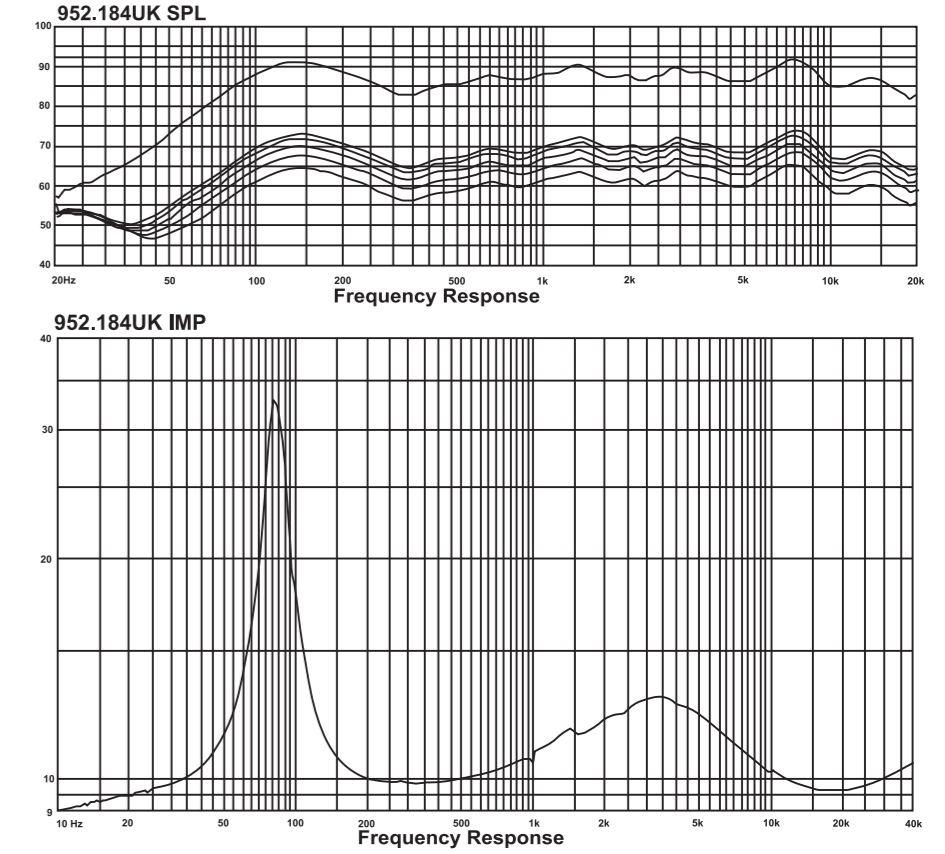
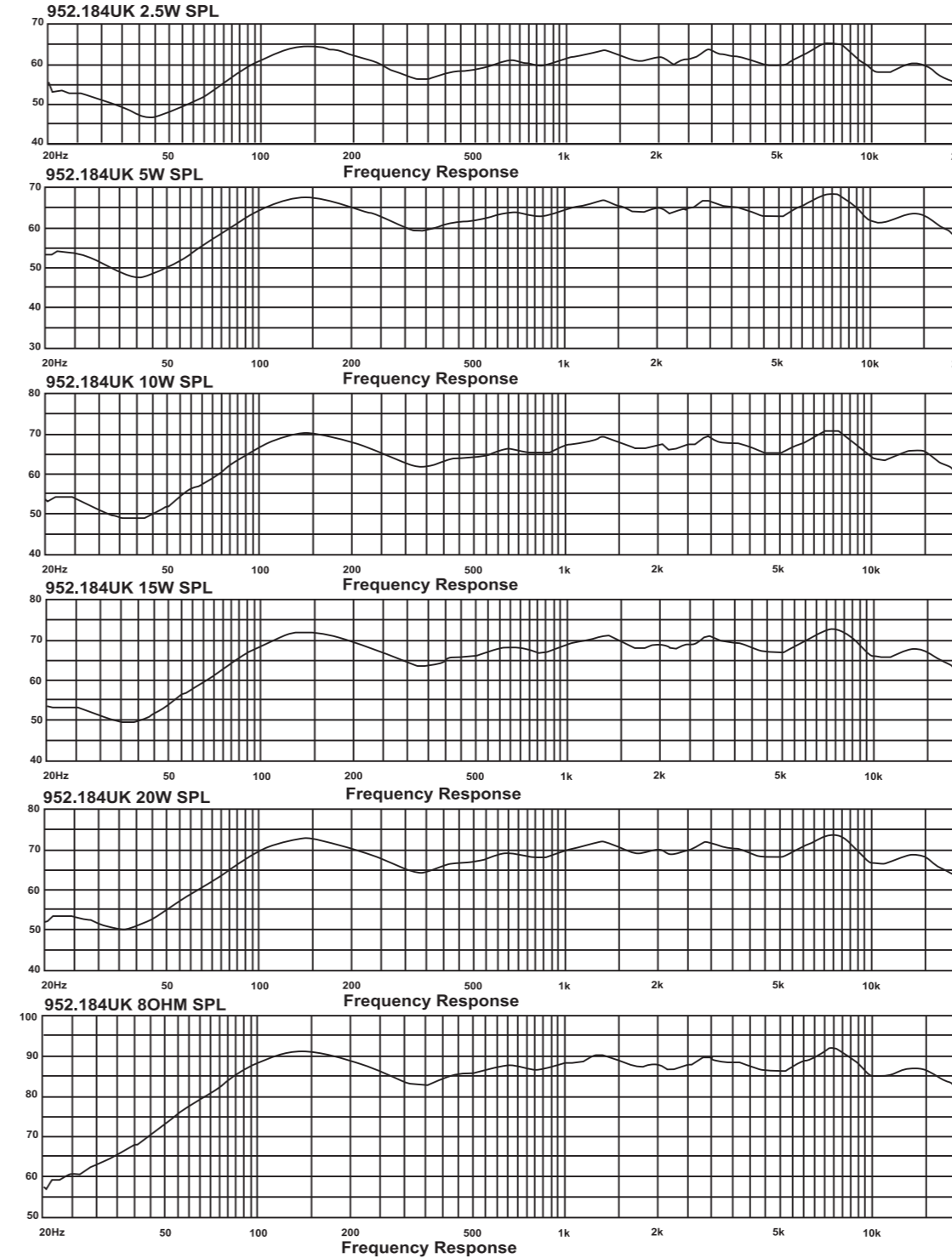
2 WAY CEILING SPEAKER



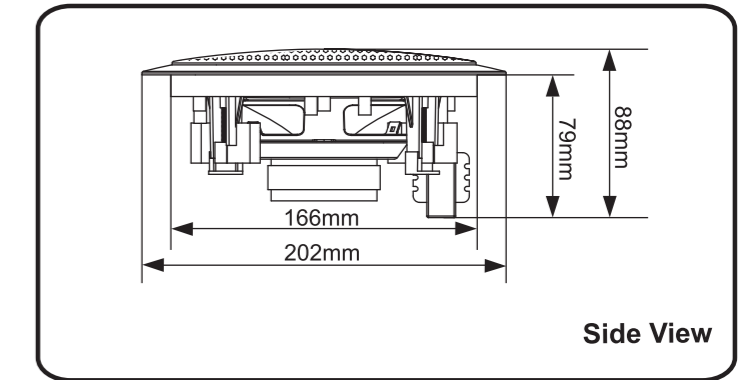
952.184UK

Technical Specifications

Rated power	50 Watts RMS
Tappings 100 volt line	20/15/10/5/2.5 Watts
Transformer Impedance, Ohms, 100V	0.5k/0.667k/1k/2k/4k Ω
Driver impedance	8 Ohms
Effective frequency range (BS6840)	85-20 KHz
S.P.L@1m, 1watt, dB, Test Signal Bandwidth 100Hz -10KHz	86 Hz
S.P.L@ Full power Octave Bandwidth	84 dB
Acoustic Power (dB, PWL@1 watt) 1k/2kHz	88/88 dB
Overall diameter	Φ 202mm
Net weight	1.15 Kg
Colour/Finish	White
Material	Plastic Baffle ABS with UV inhibitors Metal Driver Chassis & Grille
Mounting Depth	84mm
Cut-out	Φ 165mm



952.184UK



www.avsl-adastra.com