

ST201, ST401 & ST601

Tilt TV Wall Bracket

Item ref: 129.550UK, 129.551UK & 129.552UK

User Manual

These brackets are constructed from reinforced steel to allow a screen to be mounted on a wall safely. Designed to be easily installed and supplied with all required installation hardware.

Model	ST201	ST401	ST601
Screen size	17" – 45"	26" – 55"	32" – 70"
Max. weight load	20kg	30kg	35kg

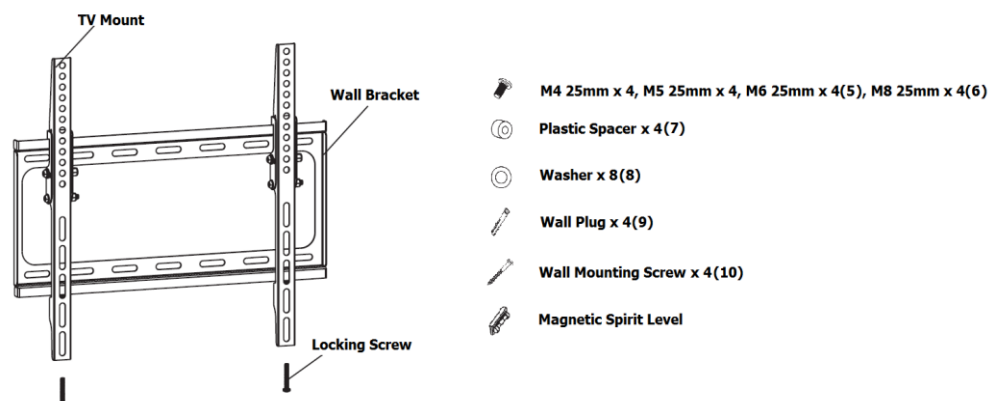
Caution:

Please read this manual thoroughly to avoid damage to property or personnel. If unsure of any part of this manual please refer to professional installer for help:

- This product contains small components that could pose a choking hazard if swallowed, please keep out of reach of children.
- This product is designed for mounting on wall studs or concrete wall. Always ensure the mounting surface will be capable of withstanding the combined weight of the TV bracket and TV, reinforcement may be required for aged or weak walls.
- Safety gear such as gloves and safety goggles must be worn during the installation. A minimum of two people are required throughout the installation, failure to do so may result in injury or damage.
- This product is design for indoor use only. The bracket must be inspected at least every two months for loose joints or aged parts.

Contents:

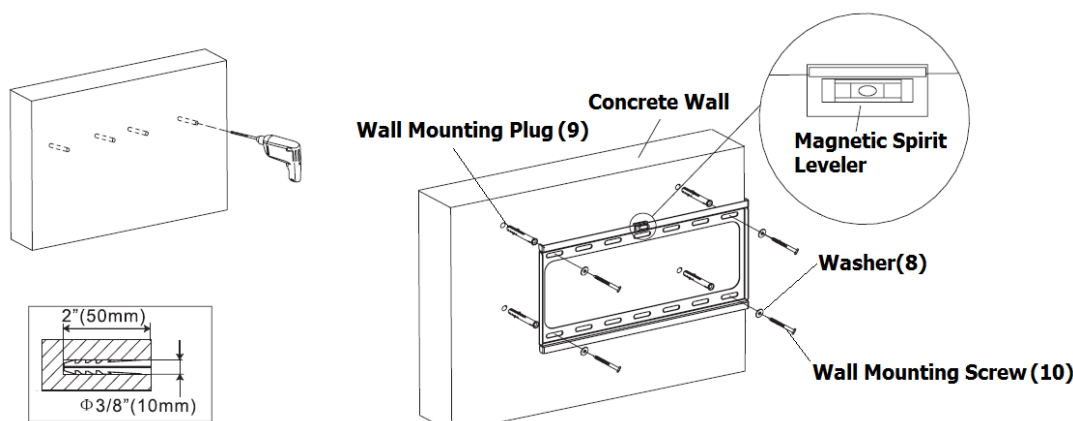
Please check all contents listed below are included inside the box. If anything is missing please return to the retailer or dealer.



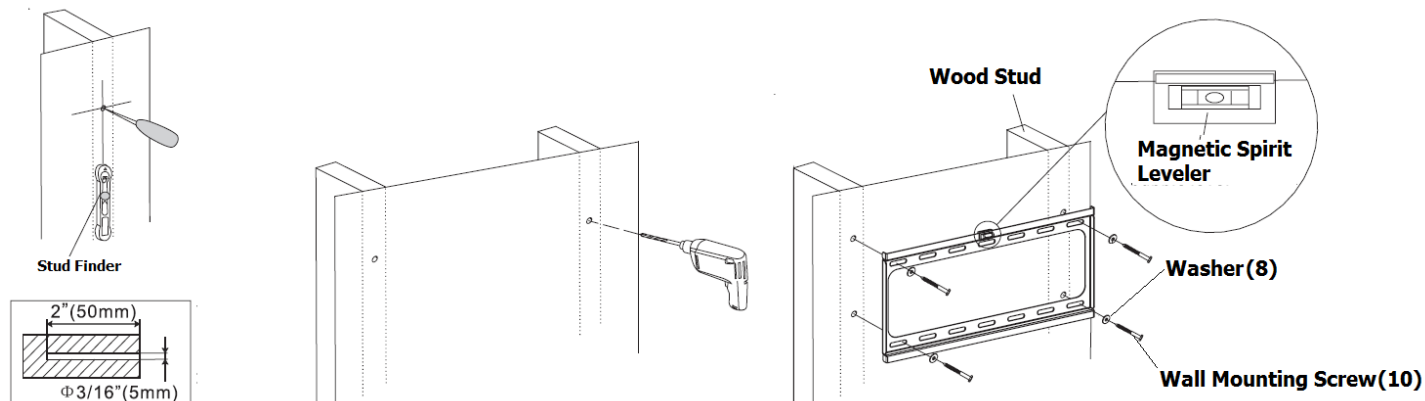
For this installation you will also require a pencil, tape measure, electric drill, stud finder and a Philips (cross) screw driver.

Step 1 – Fixing wall bracket

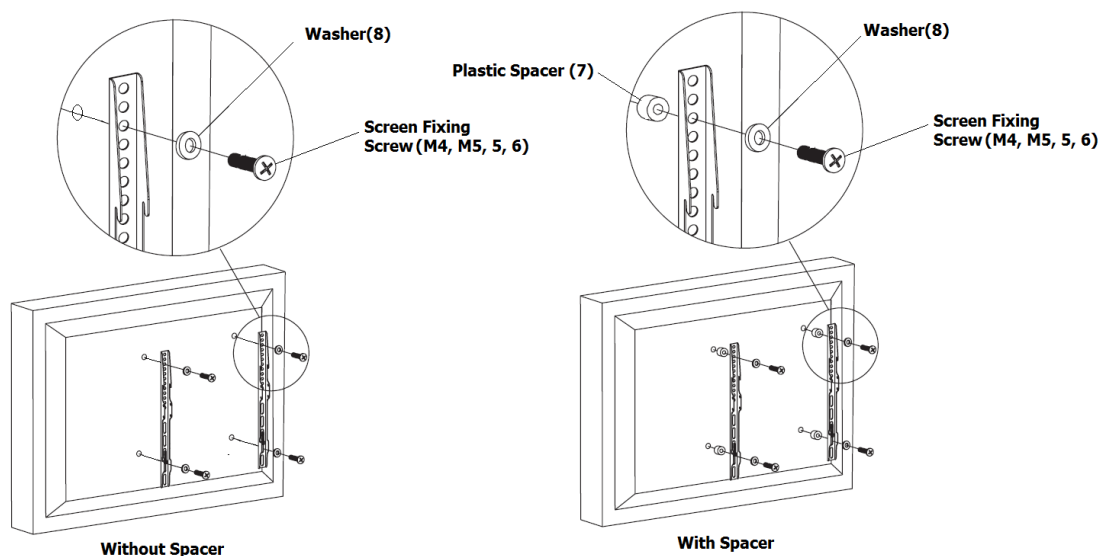
For concrete wall installation first of all work out the height of the installation and ensure it is level using the spirit level. Use a pencil to mark where the mounting holes will be and use an electric drill to drill a hole that is around 10mm in diameter and 50mm deep. Insert the wall plugs into the holes and install the wall bracket as follows.



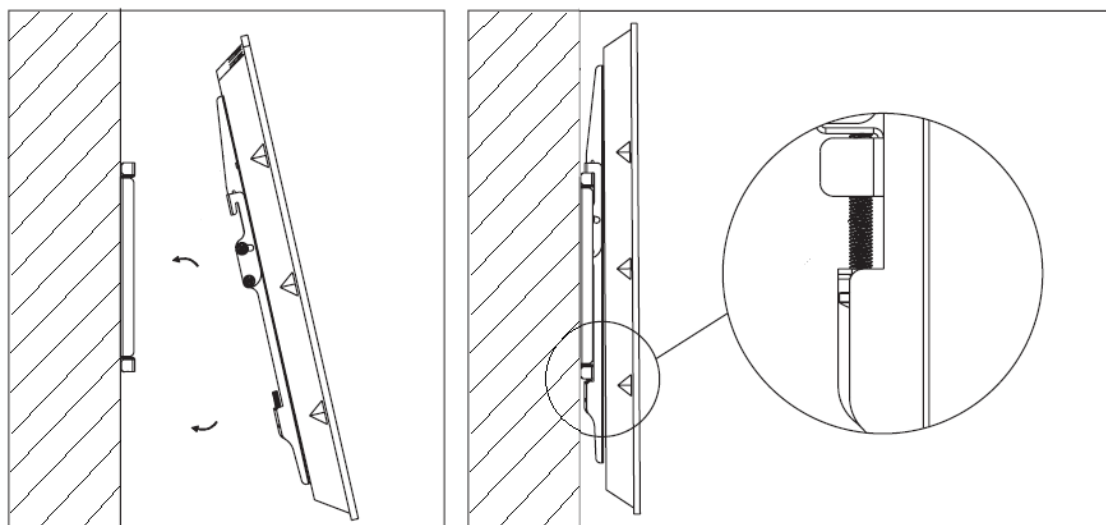
For plaster wall installation first of all find out where the wood stud is behind the wall using a stud finder. Then work out the height of the installation and ensure it is level using the spirit level. Use a pencil to mark where the mounting holes will be and use an electric drill to drill a hole that is around 5mm in diameter and 50mm deep. Install the wall bracket as follows.



Step 2 – Fixing TV bracket to the screen, please use plastic spacer if the back of the screen is uneven.



Step 3 – Hook the TV bracket on to the wall mount and gently rest the TV against the wall as shown below. Use a screw driver to fix the locking screw in until the TV is completely fixed to the bracket.



Errors and omissions excepted.

Copyright© 2024 AVSL Group Ltd, Unit 2 Bridgewater Park, Taylor Road, Trafford Park, Manchester. M41 7JQ.

AVSL (Europe) Ltd, Unit 3D North Point House, North Point Bus. Park, New Mallow Road, Cork, Ireland