

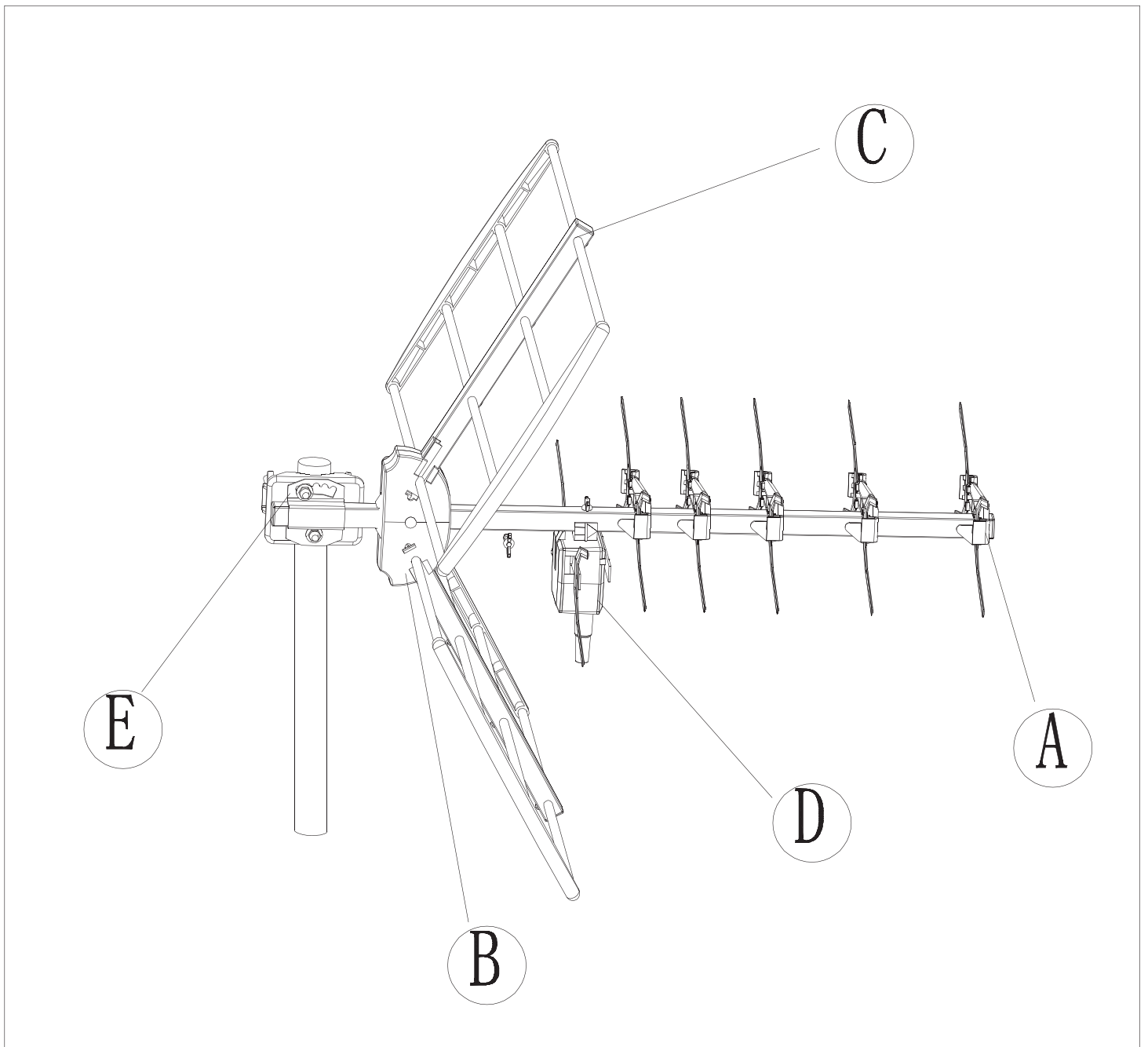
AE0749K

TV Antenna UHF

Technical data:

Frequency	Channel	Imped	No.of elements	Gain	Front-back ratio	Beam width Honz/vertical	Length
470~694 MHz	21-48	75 Ω	28	10-11dB	24dB	H40° - 55° V45° -70°	640mm

Antenna connection:



Antenna connection:

